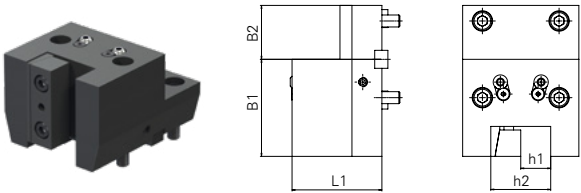
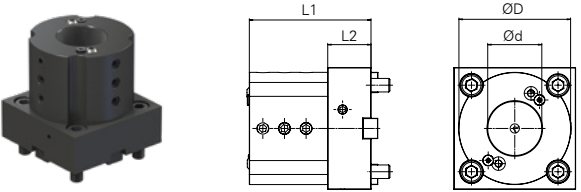


STATIC HOLDERS – BMT 55

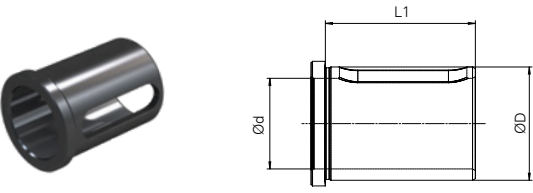
O.D. TURNING TOOL | SINGLE

Model	Drawing	Technical Data					EC	IC	Order No.
		h1 [mm]	h2 [mm]	L1 [mm]	B1 [mm]	B2 [mm]			
		25	50	75	81	45	✓	✓	113A078560001
		25	50	75	81	45	✓	✓	113A078560001-IC

BORING BAR HOLDER | SINGLE

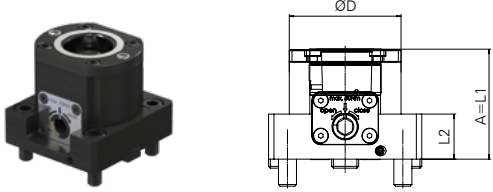
Model	Drawing	Technical Data				EC	IC	Order No.
		Ød [mm]	ØD [mm]	L1 [mm]	L2 [mm]			
		40	83	90	32	✓	✓	113A078576005

REDUCING SLEEVE

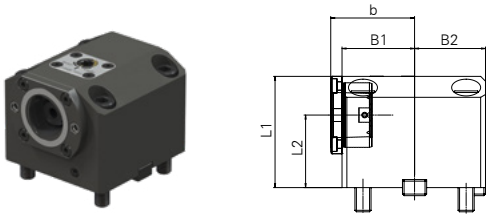
Model	Drawing	Technical Data			Order No.*
		Ød [mm]	ØD [mm]	L1 [mm]	
		32	40	69	B571-403269L
		25	40	69	B571-402569G
		20	40	69	B571-402069G
		16	40	69	B571-401669G

*Versions: L= with slotted hole / G= with threads

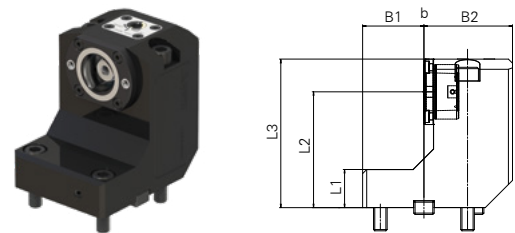
AXIAL HOLDER | SINGLE - BENZ CAPTO™

Model	Drawing	Technical Data					IC	Order No.
		Size Adapter [mm]	A [mm]	ØD [mm]	L1 [mm]	L2 [mm]		
		C4	61	62	61	25	✓	113AA078L4BDU-61
		C5	73	77	73	25	✓	113AA078L5BDU-73

RADIAL HOLDER | SINGLE - BENZ CAPTO™

Model	Drawing	Technical Data					IC	Order No.	
		Size Adapter [mm]	L1 [mm]	L2 [mm]	b [mm]	B1 [mm]			B2 [mm]
		C4	69	45	52	45	44	✓	113AP078L4BDU-45
		C5	77	45	58	45	44	✓	113AP078L5BDU-45

RADIAL HOLDER | SINGLE - BENZ CAPTO™

Model	Drawing	Technical Data						IC	Order No.	
		Size Adapter [mm]	L1 [mm]	L2 [mm]	L3 [mm]	b [mm]	B1 [mm]			B2 [mm]
		C4	28	85	109	0	45	65	✓	113AR078L4BDU-85
		C5	28	85	117	0	45	77	✓	113AR078L5BDU-85